

Optical Disk/Digital Sensor/Drive Motor Replacement

Tools Required:

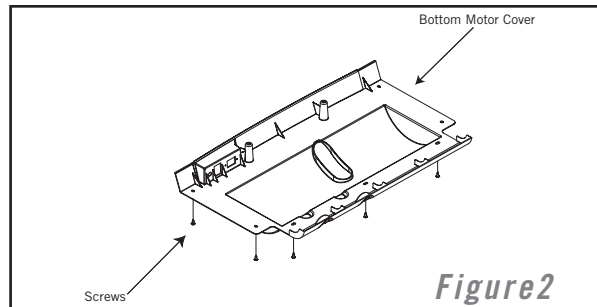
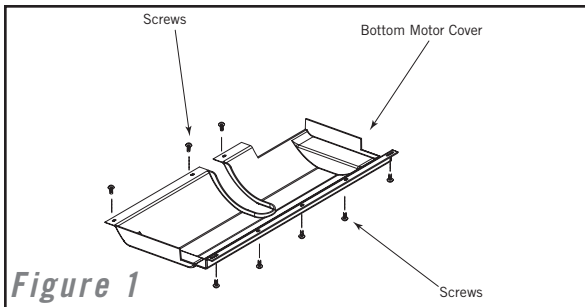
- Philips Screwdriver
- Right Angle Philips Screwdriver
- 6mm Allen Wrench

Procedure:



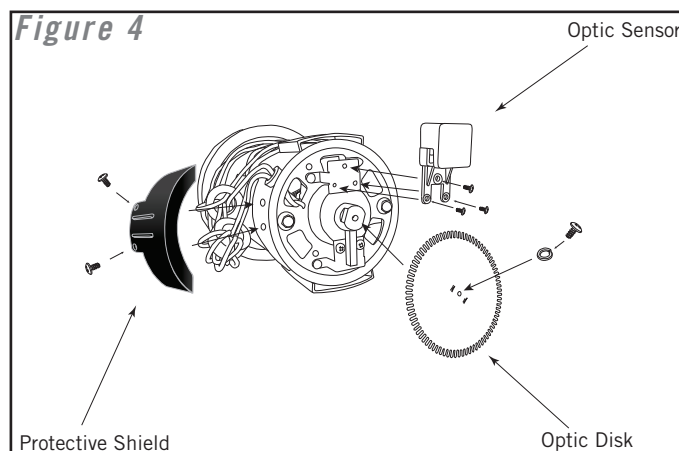
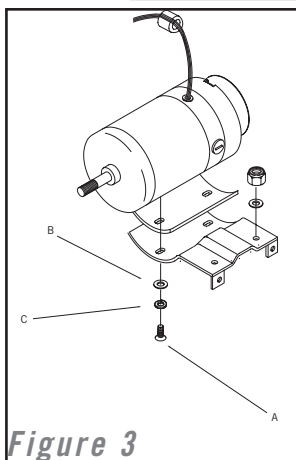
For Optical Disk Replacement Only-If you have a right angle Philips screw driver then you should be able to remove the optical disk after removing the motor cover.

- 1) Turn power off and unplug the unit. Remove the motor cover.
- 2) **For Models PST 6 & 8/ 1.2T-5.2T Only** - Remove the screws attaching bottom motor cover to main frame
- 3) Put the deck into storage position.
- 4) Remove the screws from the bottom motor cover. (Figure 1 & 2)



- 5) **For Models T61 -T64/CST 3.5 & 4.5/DT650 & 850/WT950 Only** - Bring the deck back down into the horizontal position.
- 6) **For Models T61 -T64/CST 3.5 & 4.5/DT650 & 850/WT950 Only** - Plug in and turn on the machine.
- 7) **For Models T61 -T64/CST 3.5 & 4.5/DT650 & 850/WT950 Only** - Raise the deck to the highest elevation and turn off the power.
- 8) **For Models T61 -T64/CST 3.5 & 4.5/DT650 & 850/WT950 Only** - Remove the remaining screws from the front of the bottom motor cover.
- 9) Unplug the power cord from the wall outlet.
- 10) Unplug motor and optic sensor wires from the motor control board. Also remove the green ground wire that is attached to the grounding post next to the motor control board.
- 11) Remove bolts (A) and washers (B & C) holding the motor to the motor bracket. (Figure 3)
- 12) Remove protective shield, optic disk, and optic sensor from the drive motor. * (Figure 4)

* If new Motor has these pieces already preassembled then skip to step 14.



- 13) Install optic sensor, optic disk, and the protective shield to the new motor.
- 14) Reinsert the bolts (A) and washers (B & C) holding the motor to the motor bracket but do not tighten. (Figure 3)
- 15) Place the drive belt on the drive motor.
- 16) Position motor so that the motor pulley is aligned with the front roller pulley.
- 17) Tighten down bolts (A).

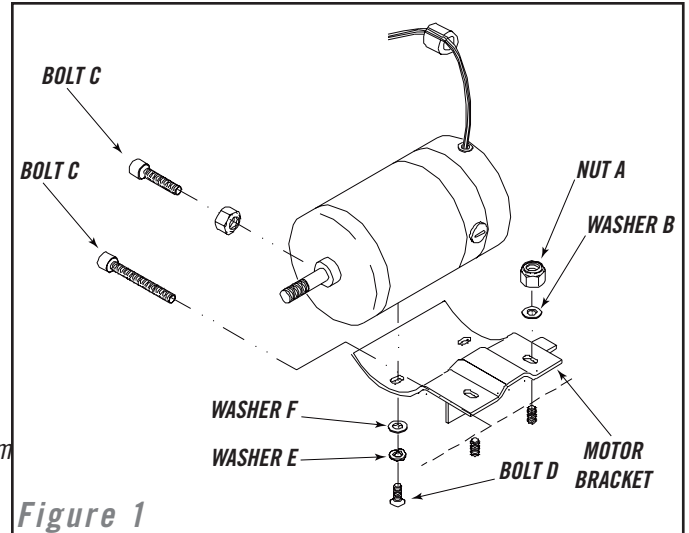
Motor Replacement 2001-2002 Models

Tools Required:

- Philips Screwdriver
- Right Angle Philips Screwdriver
- 8mm Allen Wrench
- 13 mm Socket
- Needle Nose Pliers

Procedure:

- 1) Turn off the power to the treadmill and remove the power cord from the wall outlet.
- 2) Remove the motor cover.
- 3) Unplug the motor and ground wires from the MCB.
 - a.) Remove tension spring with the needle nose pliers from the frame. (figure 4)
- 4) Remove the attachment nut A and washer B.



IMPORTANT Before removing old motor weigh down the treadmill deck to prevent the deck from springing up.

- 5) Loosen the two motor bracket attachment bolts C.
- 6) Remove bolts D and washers E and F holding the motor to the motor bracket. Note the position of the bolts on the bracket. (figure 2)
- 7) Put the new motor in place on the motor bracket frame. Place the drive belt on the drive motor; making sure that the motor flywheel pulley is aligned with the front roller pulley. (Figure 3) Tighten.
- 8) Reattach the tension spring. Hook spring onto assembly first. Then onto frame. (Figure 4)
- 9) Tighten the two motor attachment bolts C. (Figure 1)
- 10) Verify the proper tensioning on the drive belt. Using a timing belt tension gauge, the proper tension should be between 65 to 75 pounds. If a timing belt gauge is not available, the drive belt should have approximately 3/8 inch deflection. If the drive belt tension is not set properly, loosen the motor attachment bolts C and adjust.

