

Tensioning the Drive Belt

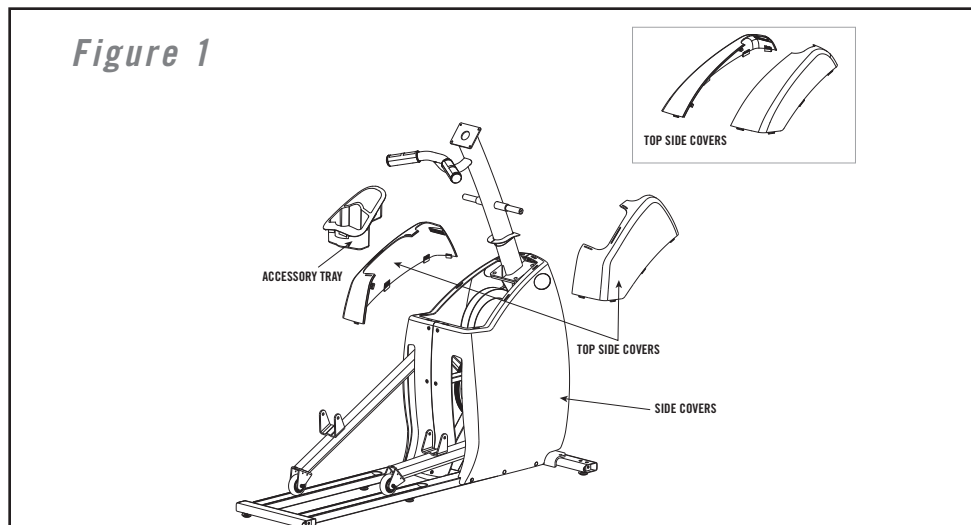
(EX-22, EX-33, EX-44, CSE 3.5, 4.5, EG5)

Tools Required:

- Phillips Screwdriver
- 11mm, 19mm Socket and Combination Wrenches

Procedure:

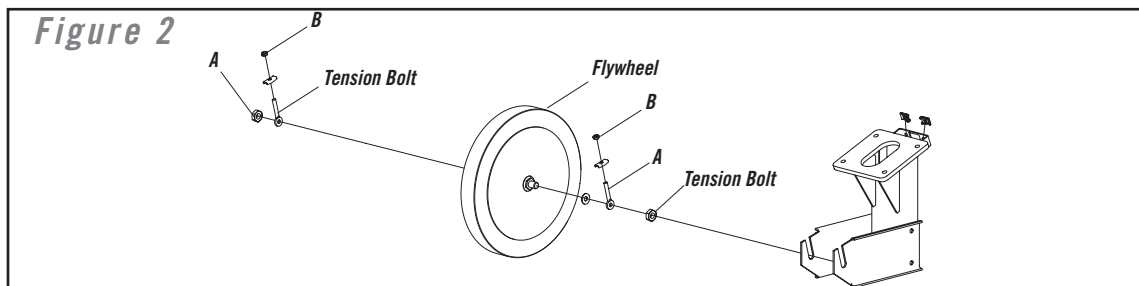
1. Remove top cap or top side covers.



2. Check the tension of the drive belt

IMPORTANT

The correct belt tension tolerance is 120-140 lbs. If a belt tension gauge is not available, the drive belt should have about 0.25" deflection when pressing down firmly on the drive belt.



3. Loosen both nuts (A), which hold the flywheel to frame.

4. Tighten or loosen the nuts (B) holding the tensioning bolts into position on both sides of the flywheel to adjust the tension of the drive belt.

IMPORTANT

Important Note - Make sure that both bolts are tightened equally so that flywheel sits straight in frame and both the fly wheel and crank pulley are properly aligned.

5. Once the belt tension is set properly, tighten the nuts (A) on both sides of the flywheel.